

WIRING DIAGRAM FOR LES PAUL®



Directions: Tie white & green wires together (Ground) and solder to volume pot. Take orange wires (hot) and connect to switch where noted by blue arrows.

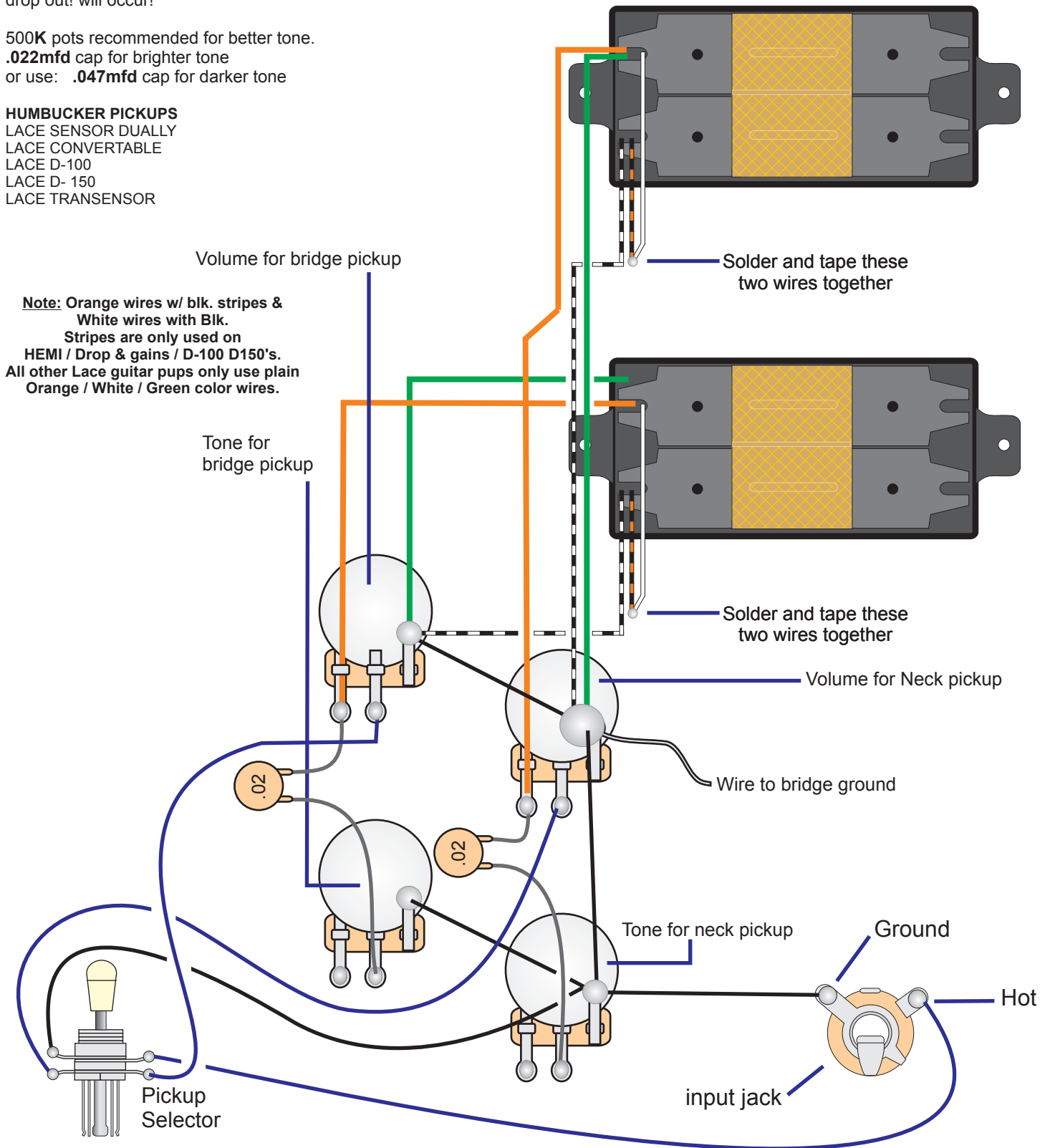
Version #2

Note: All Lead wires are on the same side as the high "E" lead string. If leads are up on the side of the bass string then the high "E" drop out! will occur!

500K pots recommended for better tone.
 .022mfd cap for brighter tone
 or use: .047mfd cap for darker tone

HUMBUCKER PICKUPS

- LACE SENSOR DUALLY
- LACE CONVERTABLE
- LACE D-100
- LACE D-150
- LACE TRANSENSOR



Note: Orange wires w/ blk. stripes & White wires with Blk. Stripes are only used on HEMI / Drop & gains / D-100 D150's. All other Lace guitar pups only use plain Orange / White / Green color wires.